

TABLE OF CONTENTS

INTRODUCTION	1
CENTRAL PROCESSOR CABINET	2
AUXILIARY EXPANSION CABINET	4
VIDEO EXPANSION CABINET	6
AC POWER ENTRY PANEL	8
MEMORY BATTERY POWER PACK	10
CONSOLE ASSEMBLY	12
MEMORY EXPANSION MODULE	13
CPU MODULE	14
I/O MODULE	15
POWER SUPPLY MODULE	16
VIDEO POWER SUPPLY MODULE	17

INTRODUCTION

This Illustrated Parts Catalog identifies and lists field-replaceable, non-mechanical parts for the 4500 computer. The following paragraphs give information on how to identify equipment not covered in this manual.

PRINTED WIRE BOARDS

Replaceable parts for PWB's are listed on the PL's for the PWBs, which are to be found in the PWB bookset.

CABLES AND WIRING

Although some cable and wiring references have been included in this manual, complete information is provided under the Cables and Wiring tab, in the System Drawings bookset. These drawings include part numbers for replaceable items.

VENDOR EQUIPMENT

Part numbers for vendor equipment are normally identified in manuals supplied by the vendor, or in this manual under the appropriate tab.

MECHANICAL PARTS

Mechanical Parts are normally not replaced. If necessary, contact Product Service PCD/Phx for information.

CENTRAL PROCESSOR CABINET

51450026

1. 51400178-100 Console Assembly (Sheet 12)
2. 51400156-100 AC Power Entry Panel (Sheet 8)
3. 43C950098P74 Terminal Strip
43C973191P74 Insulator
4. 51450021-100 Memory Battery Power Pack (Sheet 10 and 11)
5. 51200450-100 Memory Expansion Module (Sheet 13)
6. 51400159-100 CPU Module (Sheet 14)
7. 51400187-100 I/O Module (Sheet 15)
8. 51300817-100 Power Supply Module (Sheet 16)
9. 51300817-101 Power Supply Module (Sheet 16)
10. 51200507-104 Blower Filter
11. 51301045-100 Connector, J3
12. 51191227-100 4500 Bus Terminator Board
13. 51190827-100 Connector, Tab

NOTE: This cabinet has four different options

Option 101 - As shown, but omitting PS2, I/O #2, I/O #3, & I/O #4

Option 102 - As shown, but omitting I/O #3 & I/O #4

Option 103 - As shown, but omitting I/O #4

Option 104 - As shown

REFERENCE

51103236-101/102/103/104 DC Harness

51200473-100 Fan AC Power Cable

51300182-100 MEPS G-Bus Jumper Cable

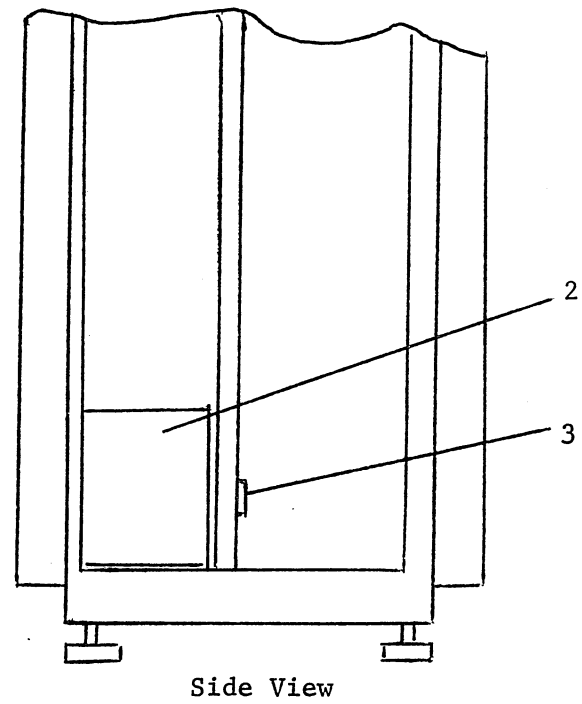
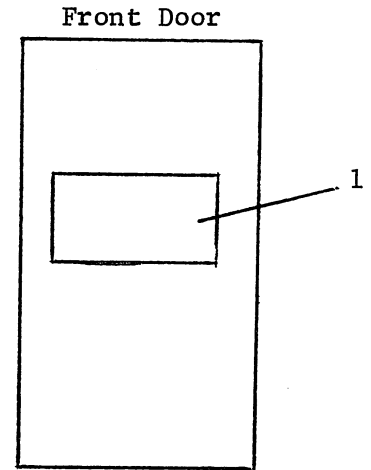
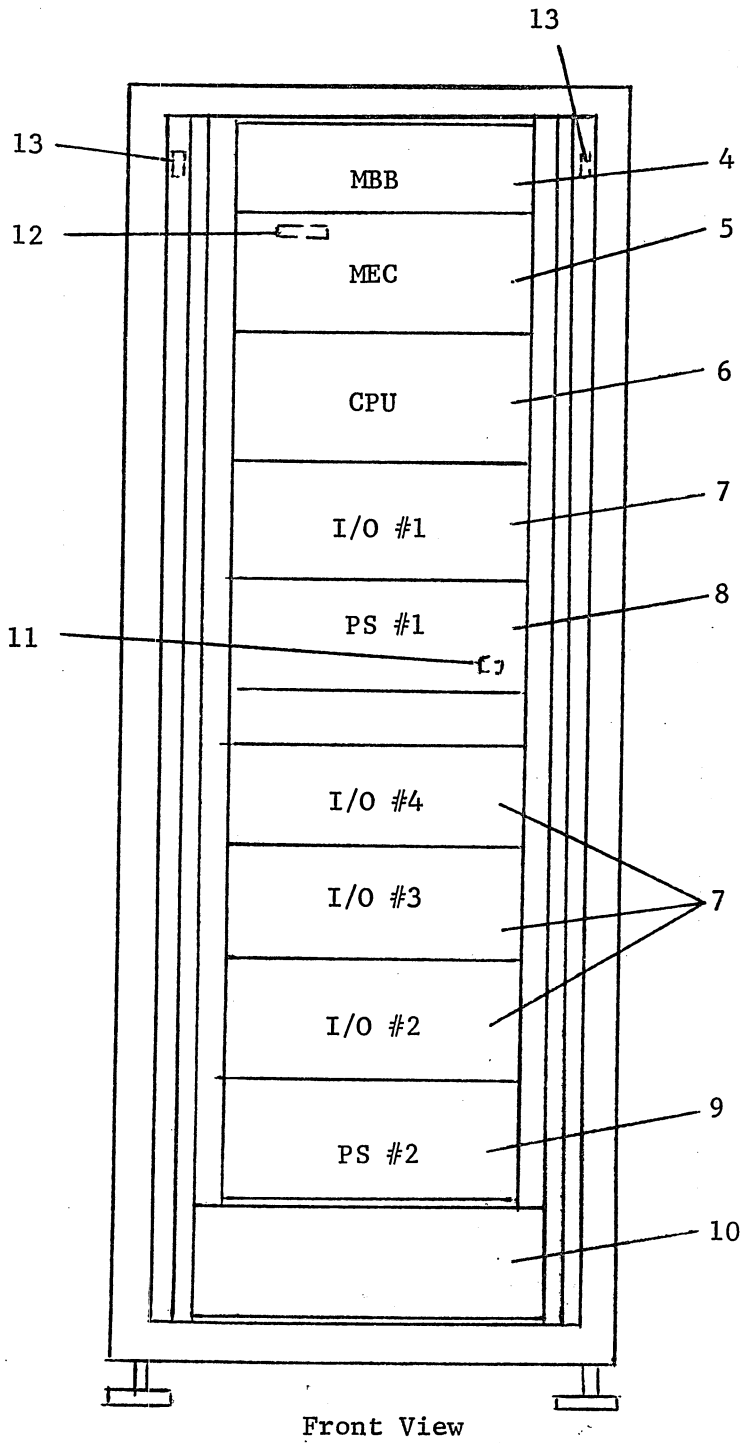
51200472 100/102/103/104/107/108/109/110/111/112/114/118/119/120 Jumper Cable

51301045-100 Pwr Sup/CPU Cable

NOTE: A 51191227 4500 Bus Terminator Board must be placed on the last GENIE Bus slot in the last MEPS chassis.

CENTRAL PROCESSOR CABINET

51450026



AUXILIARY EXPANSION CABINET

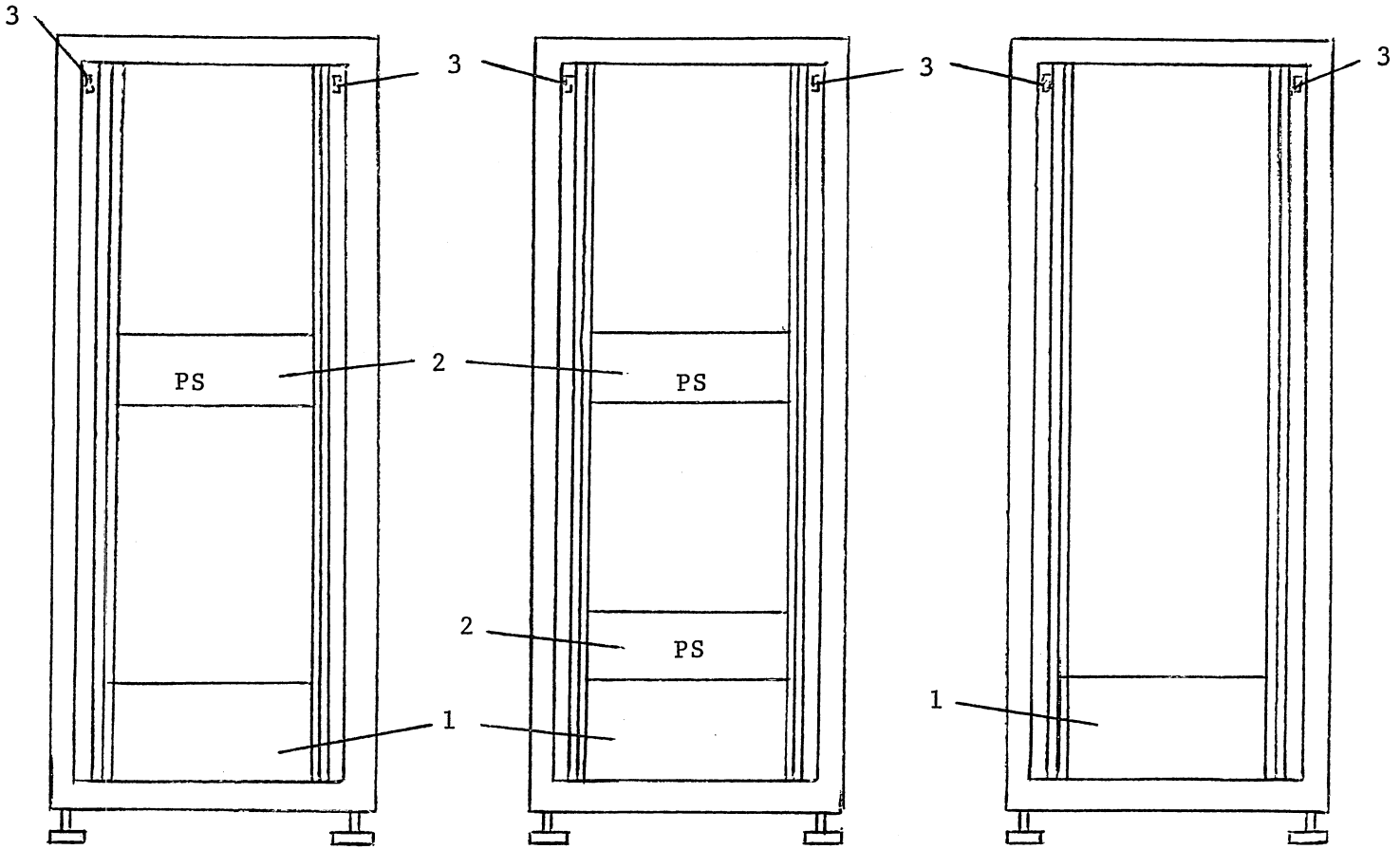
4DP3AAAXC

1. 51200507-104 Blower Filter
2. 51300817-100 Power Supply Module (AXC101, AXC103) (Sheet 16)
51300817-101 Power Supply Module (AXC102, AXC104) (Sheet 16)
3. 51190827-100 Tab Connector
4. 51400156-101 AC Power Entry Panel (Sheet 8)
5. 43C950098P74 Terminal Strip
43C973191P74 Insulator

REFERENCE

Fan AC Power Cable 51200473-100
Jumper Cable 51200472-102/103/114

AUXILIARY EXPANSION CABINET
 Basic Cabinet Frame - 51400186-101



Front View

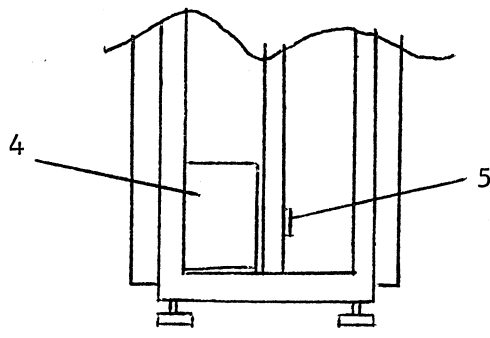
4DP3AAAXC101
 4DP3AAAXC102

Front View

4DP3AAAXC103
 4DP3AAAXC104

Front View

4DP3AAAXC105



Side View

NOTE: Options AXC101 and AXC103 contain I/O chassis that function as switched I/O busses. Options AXC102 and AXC104 contain I/O chassis that function as unswitched I/O busses.

VIDEO EXPANSION CABINET

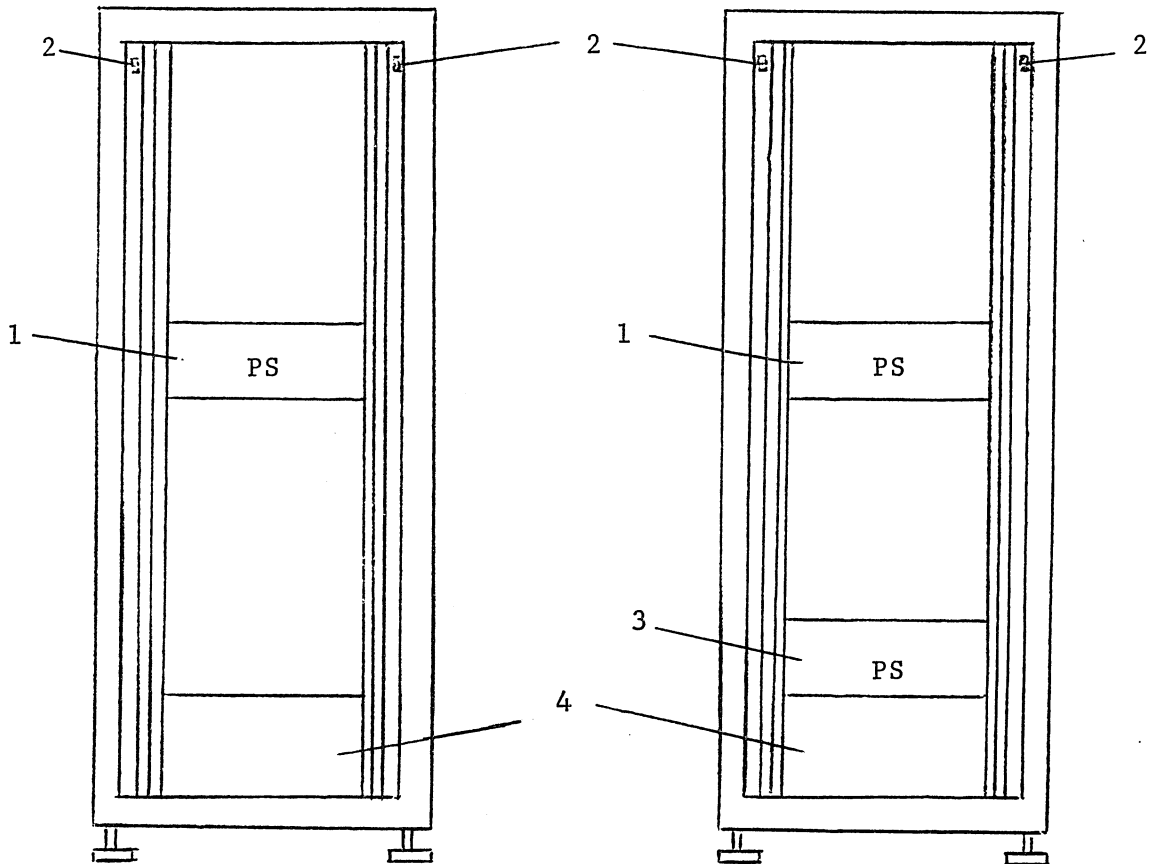
4DP3AAVXC

1. 51301632-100 Video Power Supply Module (VXC101, VXC103, VXC105) (Sheet 17)
51301632-101 Video Power Supply Module (VXC102, VXC104) (Sheet 17)
2. 51190827-100 Tab Connector
3. 51300817-100 Power Supply Module (VXC103) (Sheet 16)
51300817-101 Power Supply Module (VXC104, VXC105) (Sheet 16)
4. 51200507-104 Blower Filter
5. 51400156-101 AC Power Entry Panel (Sheet 8)
6. 43C950098P74 Terminal Strip
43C973191P74 Insulator

REFERENCE

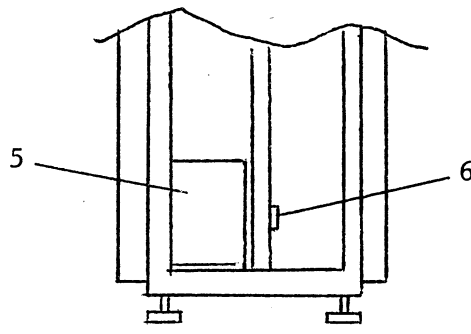
Fan AC Power Cable 51200473-101
Jumper Cable 51200472-102/103/114

VIDEO EXPANSION CABINET
 Basic Cabinet Frame - 51400186-101



Front View
 4DP3AAVXC101
 4DP3AAVXC102

Front View
 4DP3AAVXC103
 4DP3AAVXC104
 4DP3AAVXC105



Side View

NOTE: Options VXC101 and VXC103 contain I/O chassis that function as switched I/O busses. Options VXC102 and VXC104 contain I/O chassis that function as unswitched I/O busses. Option VXC105 contains I/O chassis that function as switched I/O busses and I/O chassis that function as unswitched I/O busses.

AC POWER ENTRY PANEL

51400156-100

51400156-101

1. 51190900-101 Filter
2. 68A8022P1124 Resistor
3. 68A8947P003 Circuit Breaker
4. 68A8568P6 Transformer (51400156-100 only)
5. 51102802-100 Component Board
 - 51190062-405 Capacitor
 - 68A8201P1 Diode
 - 68A8022P4680 Resistor
6. 51102802-101 Component Board (51400156-100 only)
 - 68A8201P1 Diode
 - 68A988705P1 Filter
7. 68A8201P3 Diode
8. 68A8166P01 Relay
9. 43C950098P51 Terminal Strip
 - 43C973191P51 Insulator
10. 68A8519P28 Fuse
 - 68A8516P2 Fuse Holder
11. 68A8739P110 Connector, 4 Pin Plug
 - 68A8739P201 Terminal, Female
12. 68A8739P108 Connector, 3 Pin Plug
 - 68A8739P201 Terminal, Female
 - 68A8739P202 Terminal, Male
13. 68A8739P109 Connector, 3 Pin Receptacle
 - 68A8739P201 Terminal, Female
14. 43A950117P1 Outlet

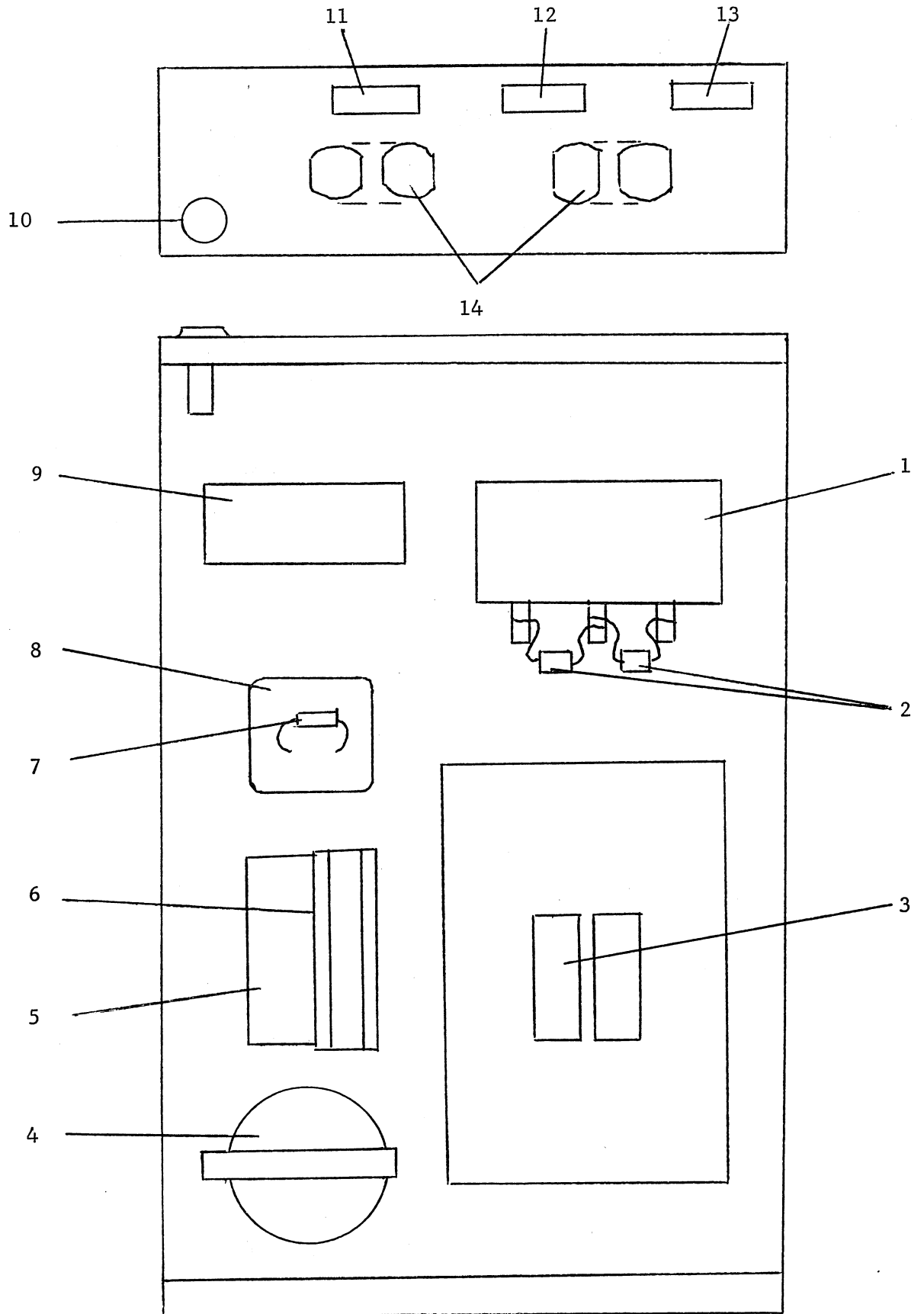
REFERENCE

51102631-101/102/103 Wire List

AC POWER ENTRY PANEL

51400156-100

51400156-101



MEMORY BATTERY POWER PACK

51450021-100

1. 68A8249P3 Light Emitting Diode
68A8249P9 Light Emitting Diode
2. 51190550-100 Miniature P. B. Switch
3. 51190559-200 AC Toggle Switch
4. 68A8519P24 Slo-Blo Fuse
68A8516P2 Fuse Holder
5. 51400222-100 Power Supply
6. 68A8976P1 Miniature Fan
68A8739P106 Nylon Connector
68A8739P203 Nylon Connector Pins
7. 51400222-101 Power Supply
8. 68A988705P1 Filter
9. 51301154-100 Capacitor Bracket
51190064-313 Capacitor
68A8166P01 Relay
68A8201P3 Rectifier Diode
51190316-100 Rectifier Bridge
51190012-960 10 W Fixed Resistor
68A8219P1 Rectifier Diode
68A988705P1 Filter
10. 51190407-100 Rechargeable Battery
11. 51190656-100 Transformer
12. 68B997901P04 Terminal Strip
51103418-100
13. 68A8739P116 Connector, 15 Pin Plug
14. 51300839-100 Memory Battery Power Backpanel

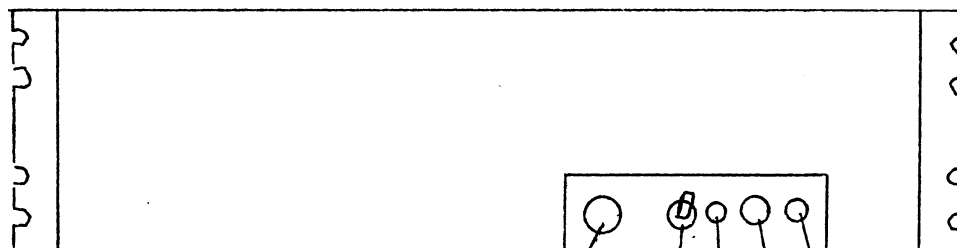
REFERENCE

- 51103500-101/102 W/L, Memory Battery Power Pack
51103096-100 Battery Sense Cable
68A988026P3 Power Cord

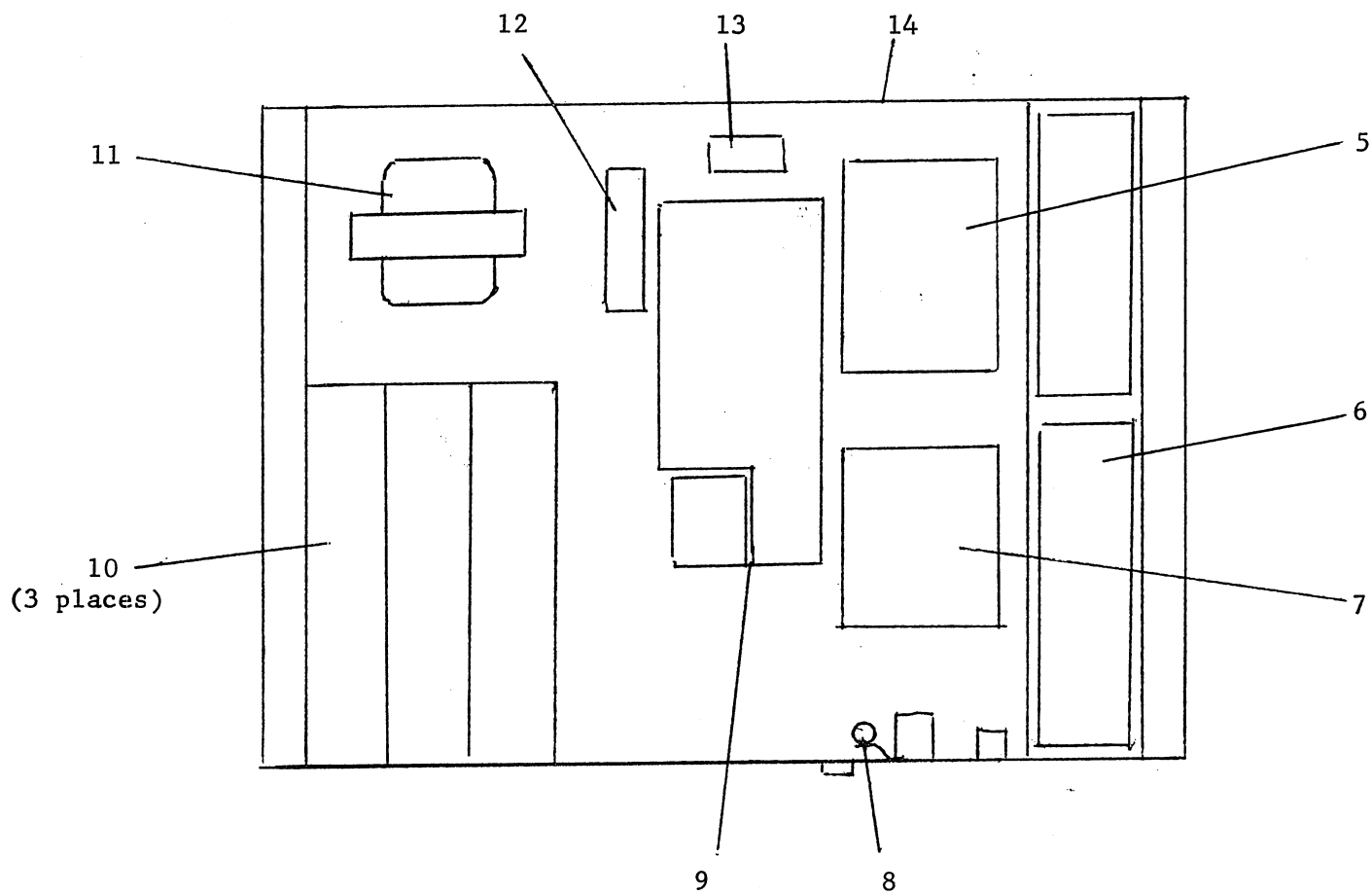
MEMORY BATTERY POWER PACK

51450021-100

Front View



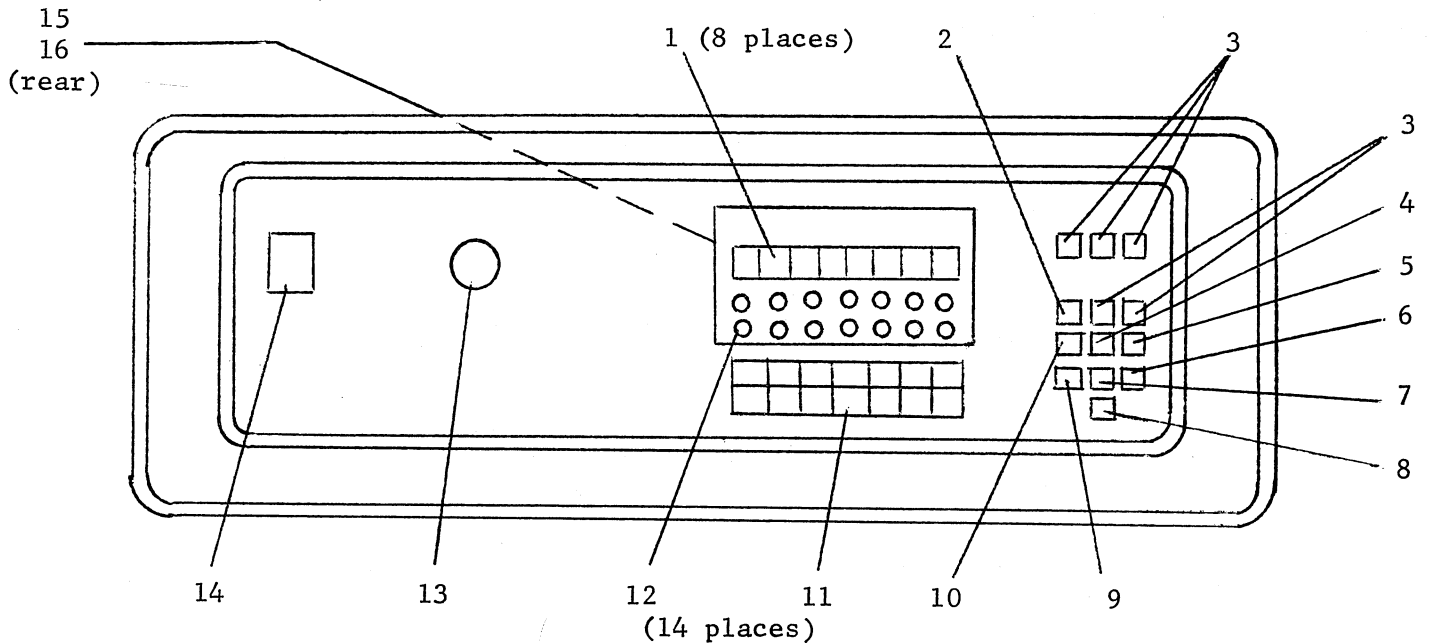
4 3 1 2 1



Top View

CONSOLE ASSEMBLY

51400178-100

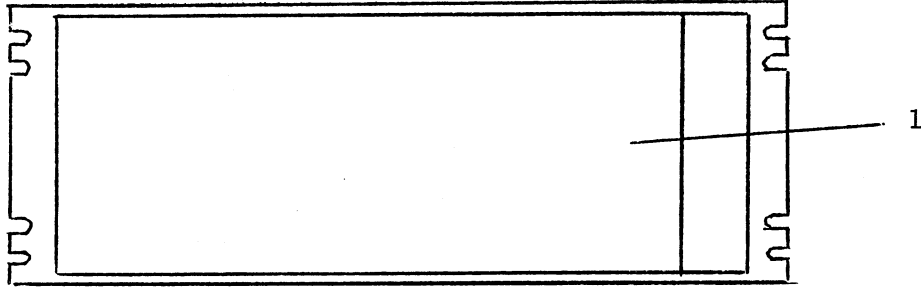


- 1. 51190753-100 LED Hex Indicator
- 2. 51190556-209 Keyboard Assembly Switch (Key Cap 7)
- 3. 51190556-201 Keyboard Assembly Switch (Key Cap ●)
- 4. 51190556-207 Keyboard Assembly Switch (Key Cap 5)
- 5. 51190556-208 Keyboard Assembly Switch (Key Cap 6)
- 6. 51190556-205 Keyboard Assembly Switch (Key Cap 3)
- 7. 51190556-204 Keyboard Assembly Switch (Key Cap 2)
- 8. 51190556-202 Keyboard Assembly Switch (Key Cap 0)
- 9. 51190556-203 Keyboard Assembly Switch (Key Cap 1)
- 10. 51190556-206 Keyboard Assembly Switch (Key Cap 4)
- 11. 51190556-300 Keyboard Assembly Switch (Key Cap Blank)
- 12. 68A8249P1 Light Emitting Diode
- 13. 43A950627P1 Key Lock Switch
- 14. 51190564-100 Power Switch
- 15. 51309000-100 Prog/Maint/Console PWB
- 16. 51190613-100 PWB Stacking Connector

REFERENCE

- 51301048-100 Console Cable
- 51102903-100 Console AC Power Cable
- 51200472-116/117 Jumper Cable

MEMORY EXPANSION MODULE
51200450

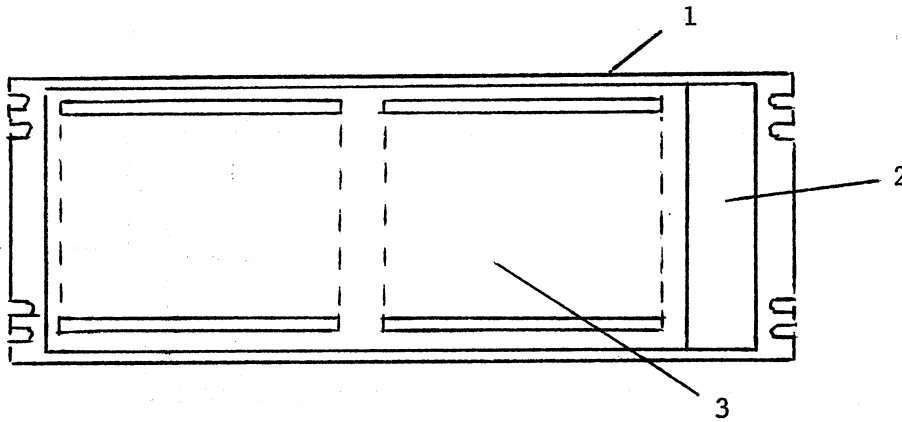


1. 51400187 I/O Module

REFERENCE

- 51301396-100 Memory Bus Jumper Cable

CPU MODULE
51400159-100

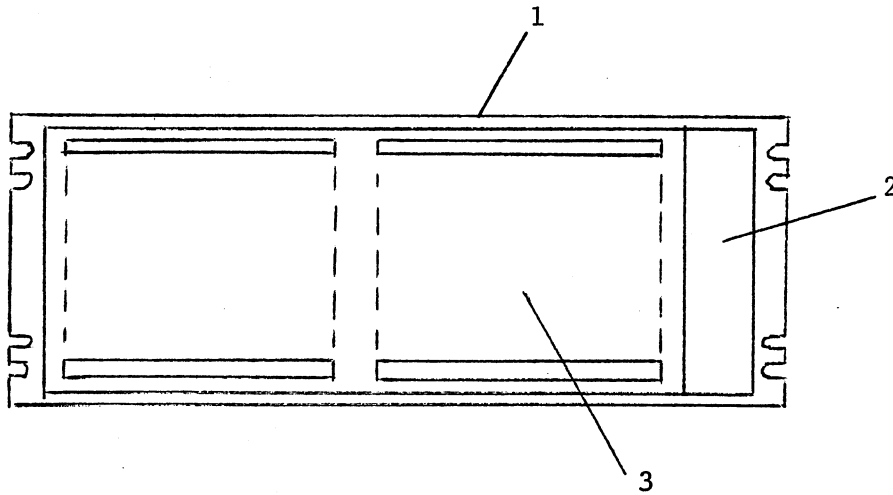


- 1. 51300840-100 CPU Backpanel
- 2. 68A8976P1 Miniature Fan
68A8739P106 Nylon Connector
68A8739P203 Nylon Connector Pins
- 3. PX4000MBCA1 Memory Bus Contr PWB - CS 4
51102008-105 CPU Micro Contr Asm PWB - CS 5
PX4000PLUA4 PRCS Arith Unit PWB - CS 6
PX4000GBCA4 GENIE Bus contr PWB - CS 7
PX4000GBDA1 GENIE Bus Data PWB - CS 8

REFERENCE

- 51101580-100 Jumper Cable

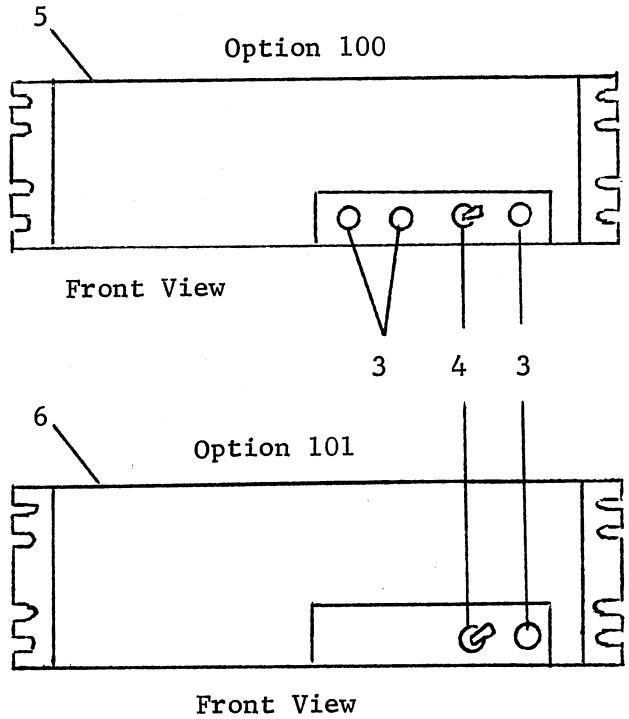
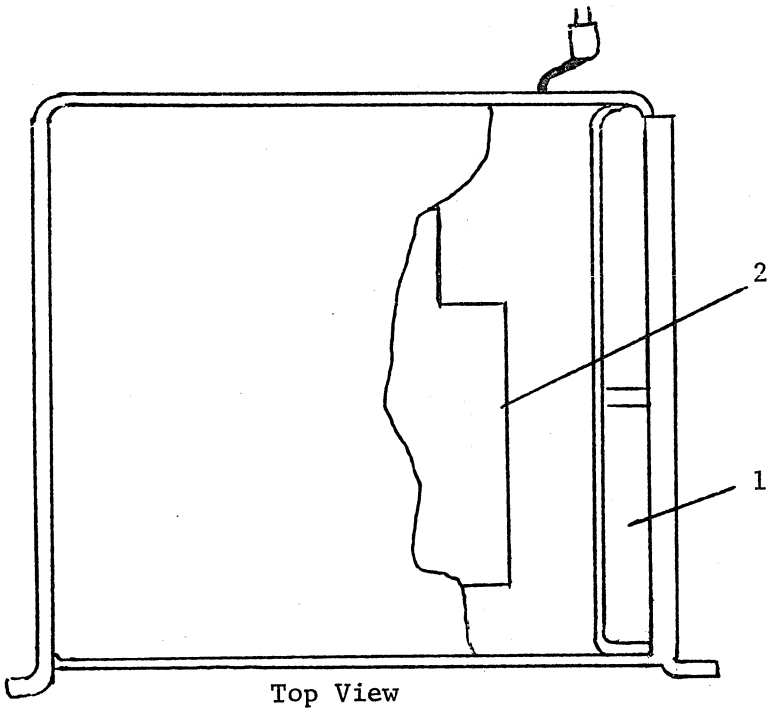
I/O MODULE
51400187-100



- 1. 51300908-100 I/O Backpanel
- 2. 68A8976P1 Miniature Fan
 - 68A8739P106 Nylon Connector
 - 68A8739P203 Nylon Connector Pins
- 3. PX4000SMPA4 Micro Processor PWB
 - PX4000SGIA1 Synchronous Interface PWB
 - PX4000SCRA1 CRC Chk PWB
 - PX4000STRA4 Trans/Rec PWB

POWER SUPPLY MODULE

51300817



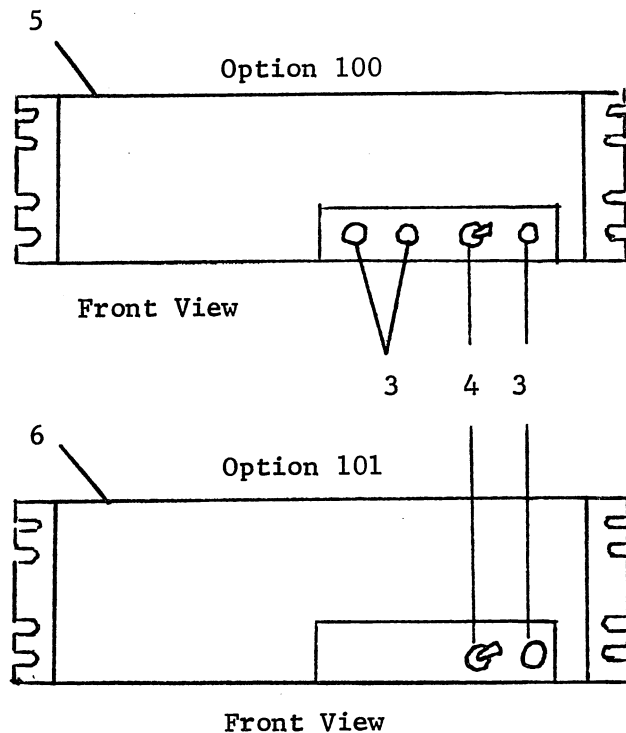
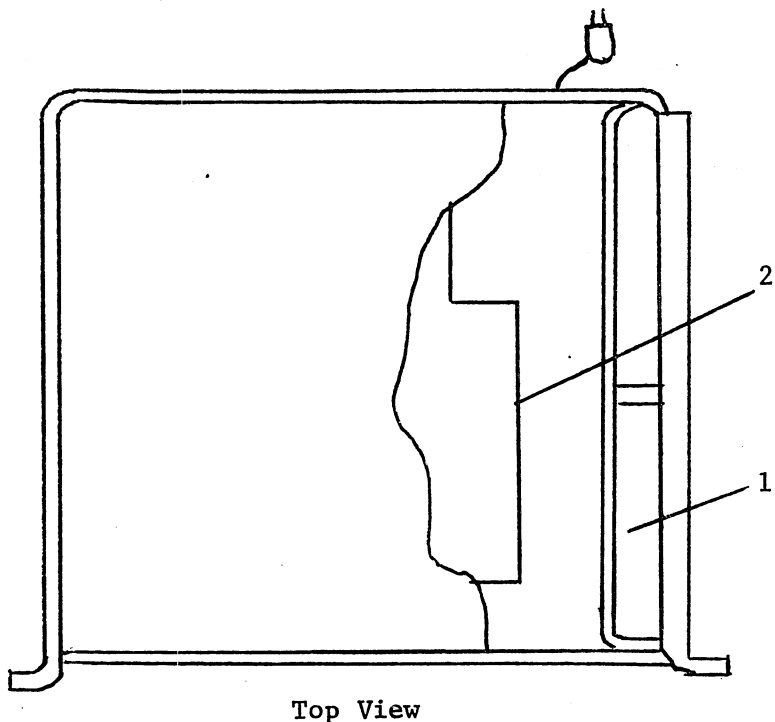
- | | | |
|----|--------------|------------------------|
| 1. | 68A8976P1 | Miniature Fan |
| | 68A8739P106 | Nylon Connector |
| | 68A8739P203 | Nylon Connector |
| 2. | 51190402-200 | Power Supply |
| 3. | 68A8249P3 | Light Emitting Diode |
| | 68A8249P9 | Light Emitting Diode |
| 4. | 51190559-100 | Switch |
| 5. | 51300826-100 | Power Supply Backpanel |
| 6. | 51300826-101 | Power Supply Backpanel |

REFERENCE

- | | |
|------------------|------------|
| 68A88026P3 | Power Cord |
| 51103190-101/102 | Wire List |

VIDEO POWER SUPPLY MODULE

51301632



- | | | |
|----|--------------|------------------------------|
| 1. | 68A8976P1 | Miniature Fan |
| | 68A8739P106 | Nylon Connector |
| | 68A8739P202 | Nylon Connector |
| 2. | 51190402-200 | Power Supply |
| 3. | 68A8249P3 | Light Emitting Diode |
| | 68A8249P9 | Light Emitting Diode |
| 4. | 51190559-101 | Switch |
| 5. | 51301629-100 | Video Power Supply Backpanel |
| 6. | 51301629-101 | Video Power Supply Backpanel |

REFERENCE

- | | |
|------------------|------------|
| 68A88026P3 | Power Cord |
| 51103190-101/102 | Wire List |

READER COMMENTS

In order to improve future editions of this and other publications, Honeywell's Process Control Division/Phoenix solicits your comments. You may direct them to the writer through this form, by letter, or telephone. The address and phone number are provided below. Some of the factors contributing to the usefulness of this publication are listed below. Please explain any "no" responses in the COMMENTS section.

Writer: Justine Fadale (602) 997- 3770
 Honeywell Inc. HVN 364-3 770
 Publications - 540
 2222 W. Peoria Ave.
 Phoenix, AZ 85029

● Publication No. 4500PARTS

● How is this publication used:

Familiarization Reference

Training Maintenance

Other (Explain) _____

	YES	NO
● Does this publication meet your requirements?	<input type="checkbox"/>	<input type="checkbox"/>
● Is the material:		
1) Presented in clear text?	<input type="checkbox"/>	<input type="checkbox"/>
2) Conveniently organized?	<input type="checkbox"/>	<input type="checkbox"/>
3) Adequately detailed?	<input type="checkbox"/>	<input type="checkbox"/>
4) Adequately illustrated?	<input type="checkbox"/>	<input type="checkbox"/>
5) Presented at appropriate technical level?	<input type="checkbox"/>	<input type="checkbox"/>
6) Technically accurate?	<input type="checkbox"/>	<input type="checkbox"/>

● Please provide specific text references (page number, line, etc.) with your comments.

NAME _____ DATE _____

TITLE _____

COMPANY NAME _____

ADDRESS _____

COMMENTS

Staple

Communications concerning technical publications should be directed to:

Technical Publications - 130
Process Control Division/Phoenix
Honeywell Inc.
2222 West Peoria Avenue
Phoenix, Arizona 85029

Fold

Fold

FIRST CLASS
Permit No. 4091
Phoenix, Arizona

BUSINESS REPLY MAIL
NO POSTAGE NECESSARY IF MAILED IN THE UNITED STATES

POSTAGE WILL BE PAID BY ...

PROCESS CONTROL DIVISION/PHOENIX
HONEYWELL INC.
2222 West Peoria Avenue
Phoenix, Arizona 85029



Cut Along Line

Attention: Manager, Technical Publications - 130

Fold

Fold

Additional Comments: